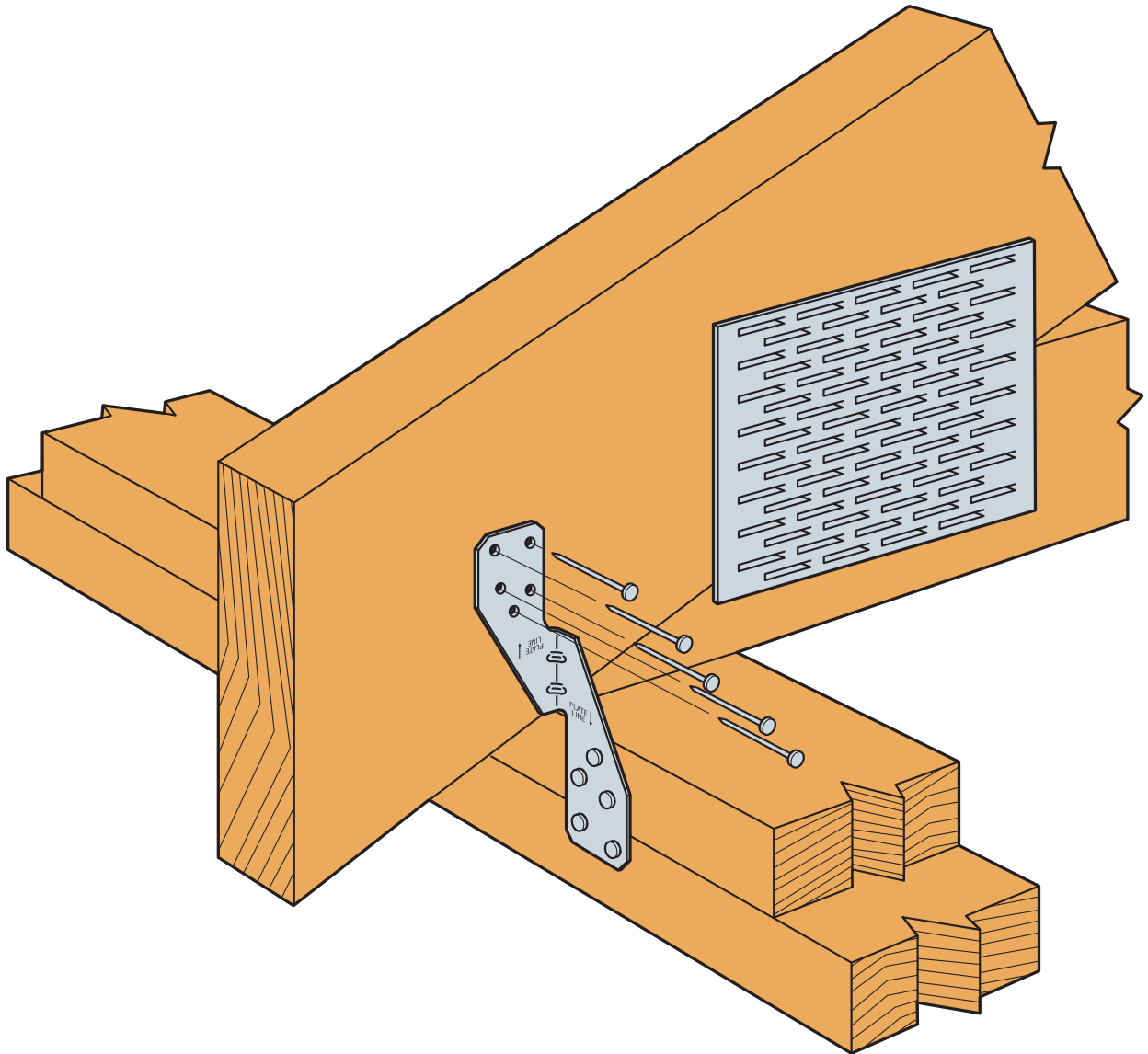


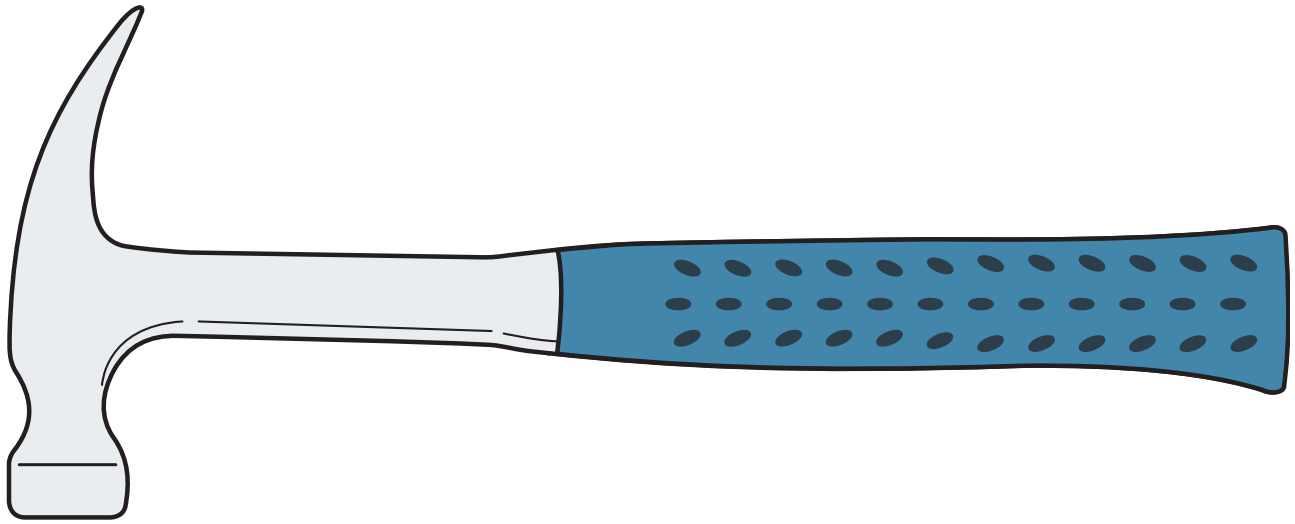
H2.5A Hurricane Tie

 strongtie.com/resources/product-installers-guide/h25a-installation



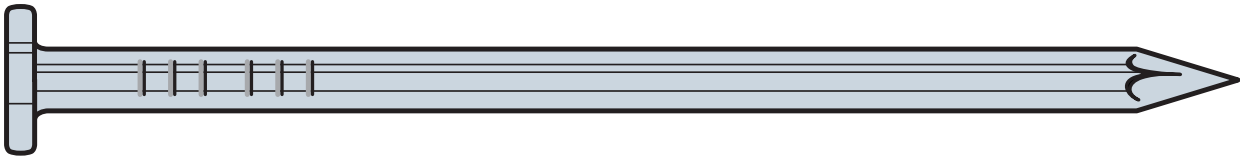
The H2.5A hurricane tie provides a positive connection between rafter/truss and the wall of the structure to resist wind and seismic forces.

Tools



Hammer

Fasteners



8d (0.131" x 2 1/2") Nail

Installation

1

2

Rafter

Cabrio

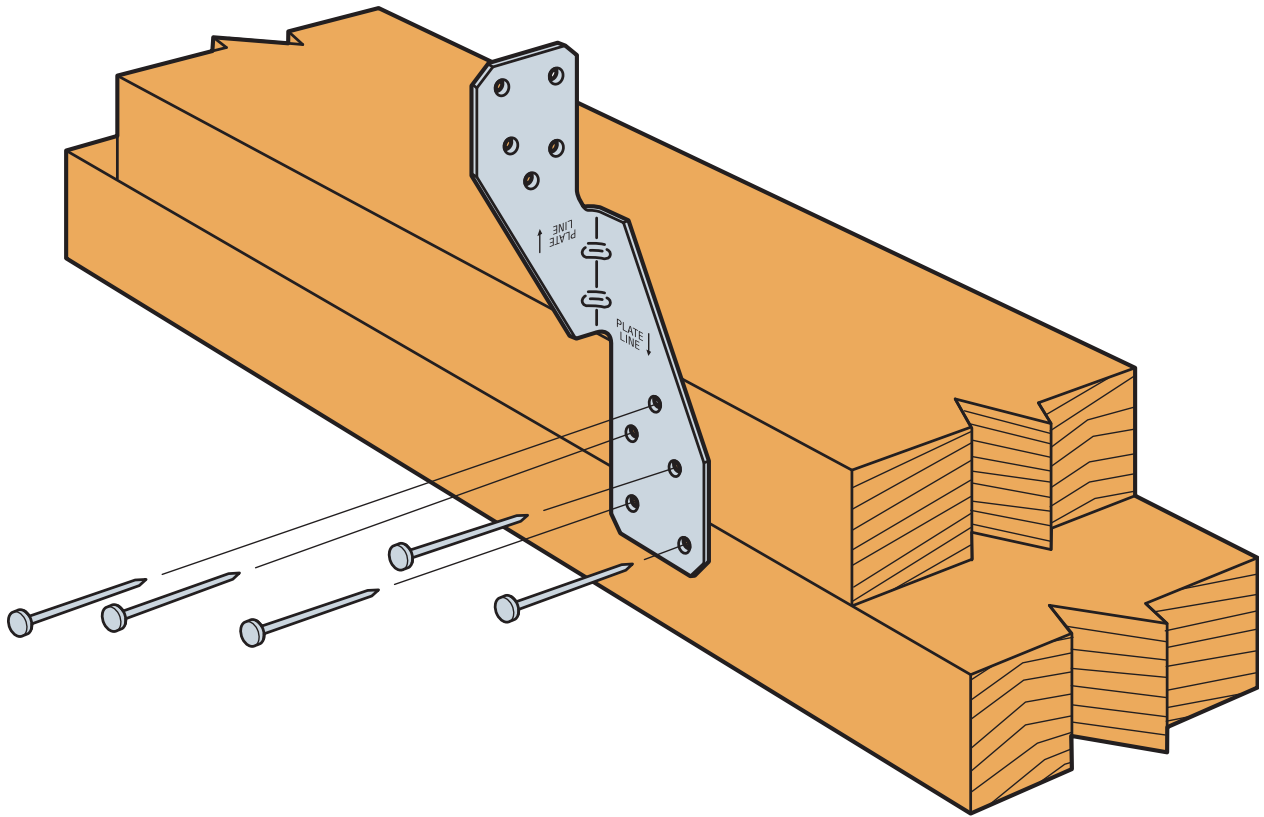
3

Truss

Viga

Installations in Pairs

Instalaciones en Pares



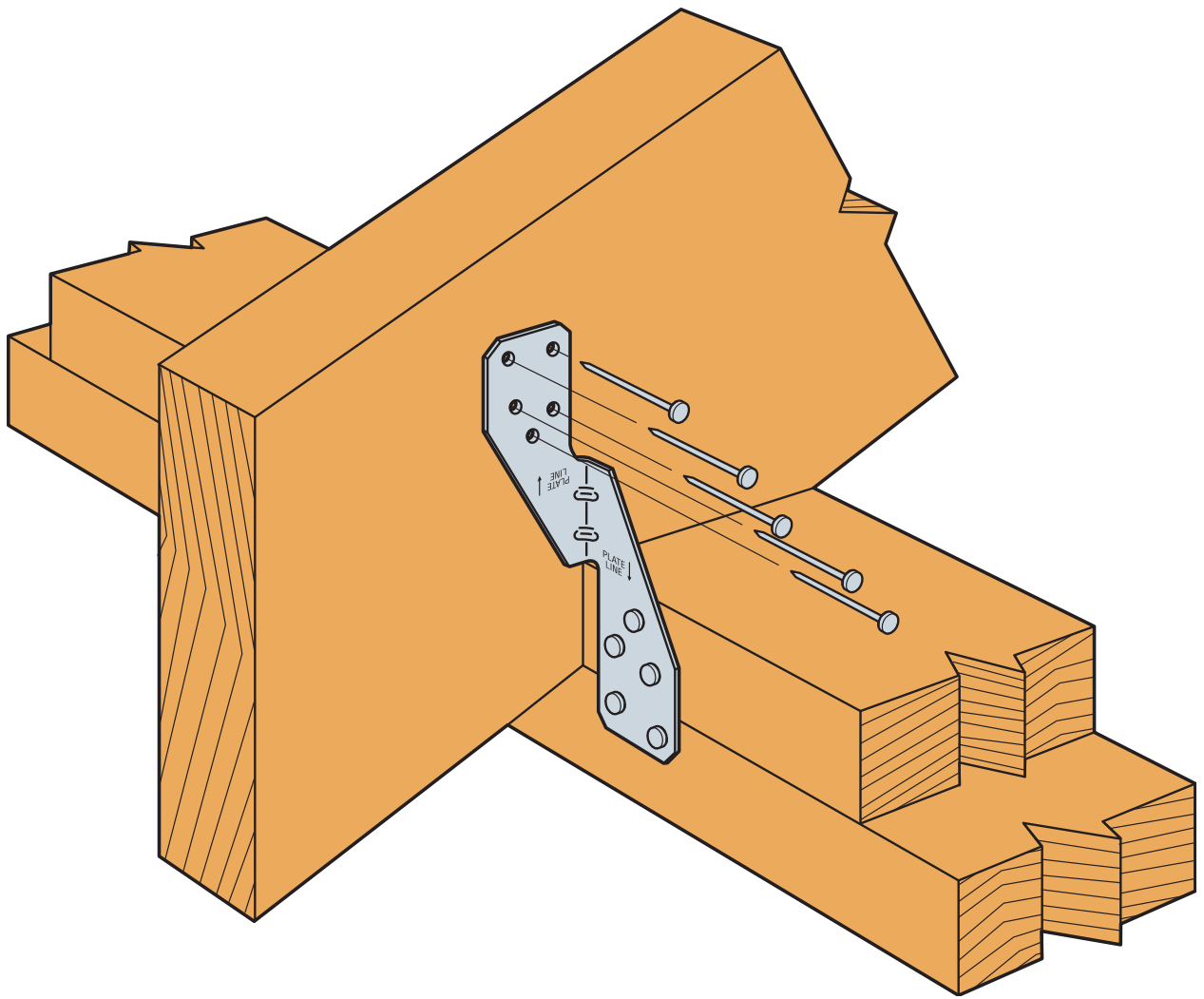
Both connectors shall be same model.

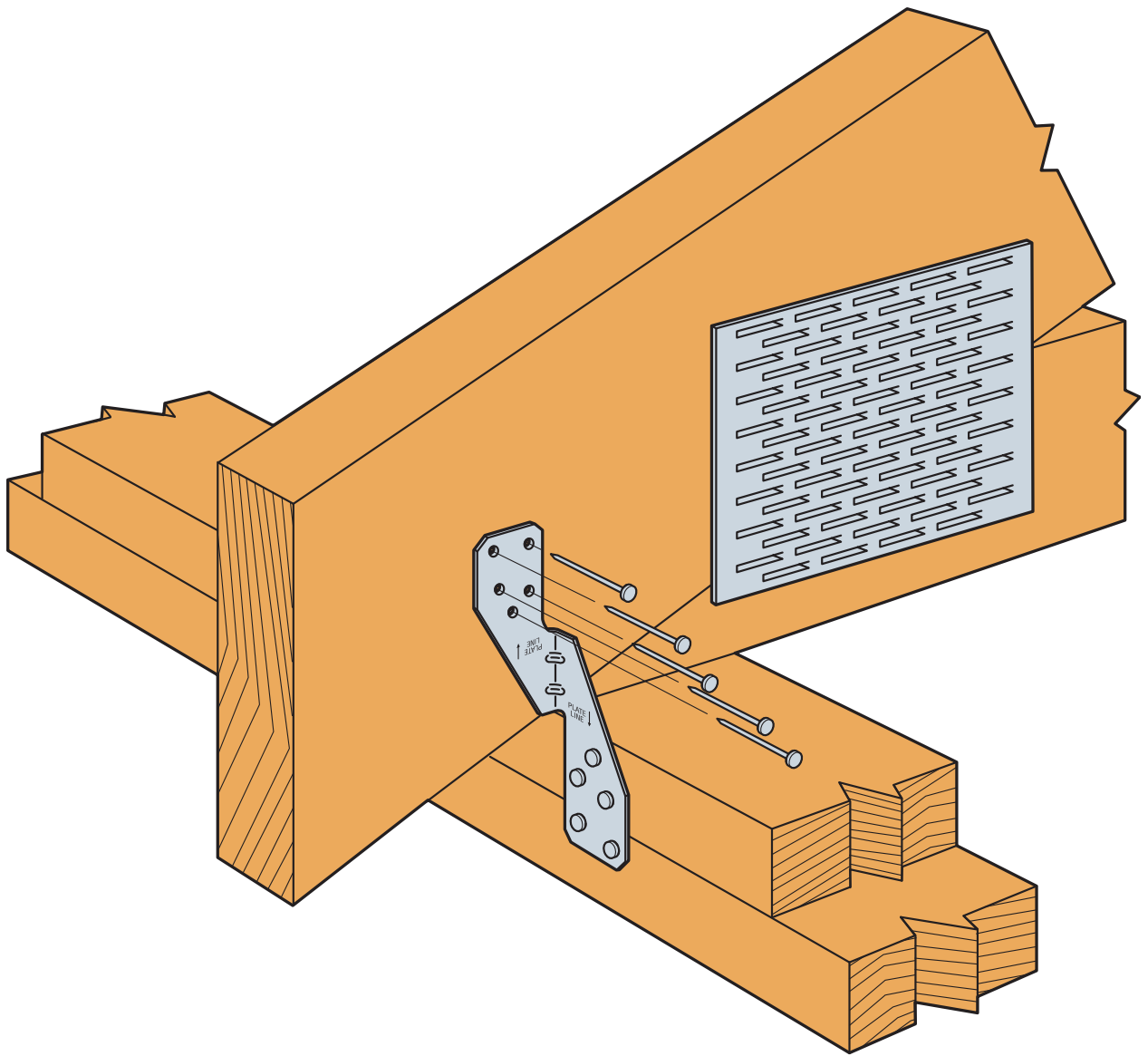
Ambos conectores deben ser del mismo modelo.

Install diagonally across from each other for minimum 2x truss.

Instale diagonalmente uno respecto del otro para dejar una cercha de 2x como mínimo.

2022





Wall
Top Plate

Placa superior
de la pared

